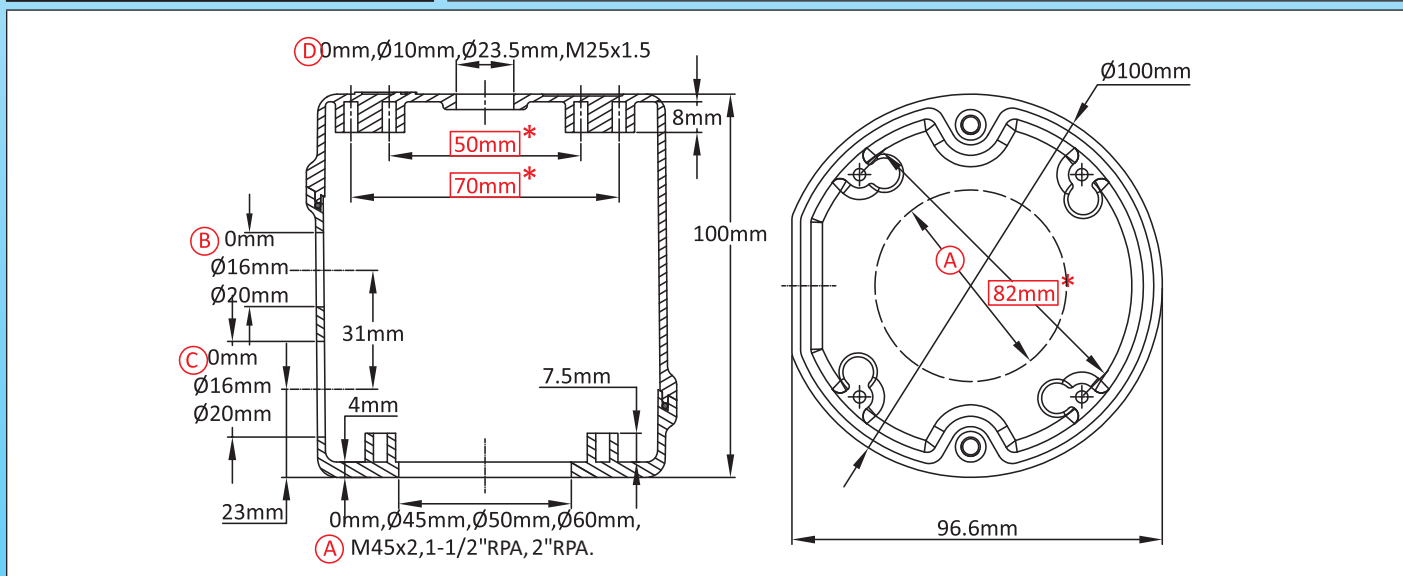


Carcasa redonda para calentador en inmersión o sensor de temperatura



Tamaño (mm)	Volumen (cm ³)	Material	Grado de protección		Modelo
Diámetro 100 x 100	700	PA66	IP69K	IK10	Y306 (P1)

Apto para
<input type="checkbox"/> Sensor de temperatura
<input checked="" type="checkbox"/> Calentador en inmersión
<input type="checkbox"/> Calentador de aletas
<input checked="" type="checkbox"/> Termostato
<input type="checkbox"/> Sensor de nivel
<input type="checkbox"/> Placa electrónica



Referencias principales

Ⓐ (mm)	Ⓑ (mm)	Ⓒ (mm)	Ⓓ (mm)	Referencias
0	0	0	0	Y30600000000000T
0	0	0	10	Y306000A0000000T
0	0	0	23,5	Y306000D0000000T
0	0	0	M25x1,5	Y306000F0000000T
0	0	16	0	Y30600001160000T
0	0	16	10	Y306000A1160000T
0	0	16	23,5	Y306000D1160000T
0	0	16	M25x1,5	Y306000F1160000T
0	0	20	0	Y30600001200000T
0	0	20	10	Y306000A1200000T
0	0	20	23,5	Y306000D1200000T
0	0	20	M25x1,5	Y306000F1200000T
0	16	16	0	Y30600002160000T
0	16	16	10	Y306000A2160000T
0	16	16	23,5	Y306000D2160000T
0	16	16	M25x1,5	Y306000F2160000T
0	16	20	0	Y30600002C00000T
0	16	20	10	Y306000A2C00000T

Ⓐ (mm)	Ⓑ (mm)	Ⓒ (mm)	Ⓓ (mm)	Referencias
0	16	20	23,5	Y306000D2C00000T
0	16	20	M25x1,5	Y306000F2C00000T
0	20	20	0	Y30600002200000T
0	20	20	10	Y306000A2200000T
0	20	20	23,5	Y306000D2200000T
0	20	20	M25x1,5	Y306000F2200000T
45	0	0	0	Y30645000000000T
45	0	0	10	Y306450A00000000T
45	0	0	23,5	Y306450D00000000T
45	0	0	M25x1,5	Y306450F00000000T
45	0	16	0	Y30645001160000T
45	0	16	10	Y306450A1160000T
45	0	16	23,5	Y306450D1160000T
45	0	16	M25x1,5	Y306450F1160000T
45	0	20	0	Y30645001200000T
45	0	20	10	Y306450A1200000T
45	0	20	23,5	Y306450D1200000T
45	0	20	M25x1,5	Y306450F1200000T

No se incluye la glándula de cables en estas referencias, consúltenos si las desea.

Las dimensiones en rojo dentro de los marcos rectangulares en los dibujos se utilizan para el ensamblaje de accesorios.

Debido a la mejora constante de nuestros productos, los dibujos, descripciones y características utilizadas en estas fichas técnicas son solo orientativos y pueden ser modificados sin aviso previo

Carcasa redonda para calentador en inmersión o sensor de temperatura

Y306
(P2)



Debido a la mejora constante de nuestros productos, los dibujos, descripciones y características utilizadas en estas fichas técnicas son solo orientativos y pueden ser modificados sin aviso previo

A (mm)	B (mm)	C (mm)	D (mm)	Referencias
45	16	16	0	Y30645002160000T
45	16	16	10	Y306450A2160000T
45	16	16	23,5	Y306450D2160000T
45	16	16	M25x1,5	Y306450F2160000T
45	16	20	0	Y30645002C00000T
45	16	20	10	Y306450A2C00000T
45	16	20	23,5	Y306450D2C00000T
45	16	20	M25x1,5	Y306450F2C00000T
45	20	20	0	Y30645002200000T
45	20	20	10	Y306450A2200000T
45	20	20	23,5	Y306450D2200000T
45	20	20	M25x1,5	Y306450F2200000T
50	0	0	0	Y30650000000000T
50	0	0	10	Y306500A0000000T
50	0	0	23,5	Y306500D0000000T
50	0	0	M25x1,5	Y306500F0000000T
50	0	16	0	Y30650001600000T
50	0	16	10	Y306500A1600000T
50	0	16	23,5	Y306500D1600000T
50	0	16	M25x1,5	Y306500F1600000T
50	0	20	0	Y30650001200000T
50	0	20	10	Y306500A1200000T
50	0	20	23,5	Y306500D1200000T
50	0	20	M25x1,5	Y306500F1200000T
50	16	16	0	Y30650002160000T
50	16	16	10	Y306500A2160000T
50	16	16	23,5	Y306500D2160000T
50	16	16	M25x1,5	Y306500F2160000T
50	16	20	0	Y30650002C00000T
50	16	20	10	Y306500A2C00000T
50	16	20	23,5	Y306500D2C00000T
50	16	20	M25x1,5	Y306500F2C00000T
50	20	20	0	Y30650002200000T
50	20	20	10	Y306500A2200000T
50	20	20	23,5	Y306500D2200000T
50	20	20	M25x1,5	Y306500F2200000T
60	0	0	0	Y30660000000000T
60	0	0	10	Y306600A00000000T
60	0	0	23,5	Y306600D00000000T
60	0	0	M25x1,5	Y306600F00000000T
60	0	16	0	Y30660001160000T
60	0	16	10	Y306600A1160000T
60	0	16	23,5	Y306600D1160000T
60	0	16	M25x1,5	Y306600F1160000T
60	0	20	0	Y30660001200000T
60	0	20	10	Y306600A1200000T
60	0	20	23,5	Y306600D1200000T
60	0	20	M25x1,5	Y306600F1200000T
60	16	16	0	Y30660002160000T
60	16	16	10	Y306600A2160000T
60	16	16	23,5	Y306600D2160000T
60	16	16	M25x1,5	Y306600F2160000T
60	16	20	0	Y30660002C00000T
60	16	20	10	Y306600A2C00000T
60	16	20	23,5	Y306600D2C00000T
60	16	20	M25x1,5	Y306600F2C00000T
60	20	20	0	Y30660002200000T
60	20	20	10	Y306600A2200000T
60	20	20	23,5	Y306600D2200000T
60	20	20	M25x1,5	Y306600F2200000T
M45x2	0	0	0	Y306M4500000000T
M45x2	0	0	10	Y306M45A0000000T
M45x2	0	0	23,5	Y306M45D0000000T
M45x2	0	0	M25x1,5	Y306M45F0000000T
M45x2	0	16	0	Y306M4501600000T
M45x2	0	16	10	Y306M45A1600000T

A (mm)	B (mm)	C (mm)	D (mm)	Referencias
M45x2	0	16	23,5	Y306M45D1600000T
M45x2	0	16	M25x1,5	Y306M45F1600000T
M45x2	0	20	0	Y306M4501200000T
M45x2	0	20	10	Y306M45A1200000T
M45x2	0	20	23,5	Y306M45D1200000T
M45x2	0	20	M25x1,5	Y306M45F1200000T
M45x2	16	16	0	Y306M4502160000T
M45x2	16	16	10	Y306M45A2160000T
M45x2	16	16	23,5	Y306M45D2160000T
M45x2	16	16	M25x1,5	Y306M45F2160000T
M45x2	16	20	0	Y306M4502C00000T
M45x2	16	20	10	Y306M45A2C00000T
M45x2	16	20	23,5	Y306M45D2C00000T
M45x2	16	20	M25x1,5	Y306M45F2C00000T
M45x2	20	20	0	Y306M4502200000T
M45x2	20	20	10	Y306M45A2200000T
M45x2	20	20	23,5	Y306M45D2200000T
M45x2	20	20	M25x1,5	Y306M45F2200000T
1½" RPA	0	0	0	Y306BA2000000000T
1½" RPA	0	0	10	Y306BA2A00000000T
1½" RPA	0	0	23,5	Y306BA2D00000000T
1½" RPA	0	0	M25x1,5	Y306BA2F00000000T
1½" RPA	0	16	0	Y306BA201160000T
1½" RPA	0	16	10	Y306BA2A1160000T
1½" RPA	0	16	23,5	Y306BA2D1160000T
1½" RPA	0	16	M25x1,5	Y306BA2F1160000T
1½" RPA	0	20	0	Y306BA201200000T
1½" RPA	0	20	10	Y306BA2A1200000T
1½" RPA	0	20	23,5	Y306BA2D1200000T
1½" RPA	0	20	M25x1,5	Y306BA2F1200000T
1½" RPA	16	16	0	Y306BA202160000T
1½" RPA	16	16	10	Y306BA2A2160000T
1½" RPA	16	16	23,5	Y306BA2D2160000T
1½" RPA	16	16	M25x1,5	Y306BA2F2160000T
1½" RPA	16	20	0	Y306BA202C00000T
1½" RPA	16	20	10	Y306BA2A2C00000T
1½" RPA	16	20	23,5	Y306BA2D2C00000T
1½" RPA	16	20	M25x1,5	Y306BA2F2C00000T
1½" RPA	20	20	0	Y306BA202200000T
1½" RPA	20	20	10	Y306BA2A2200000T
1½" RPA	20	20	23,5	Y306BA2D2200000T
1½" RPA	20	20	M25x1,5	Y306BA2F2200000T
2" RPA	0	0	0	Y306BB2000000000T
2" RPA	0	0	10	Y306BB2A00000000T
2" RPA	0	0	23,5	Y306BB2D00000000T
2" RPA	0	0	M25x1,5	Y306BB2F00000000T
2" RPA	0	16	0	Y306BB201160000T
2" RPA	0	16	10	Y306BB2A1160000T
2" RPA	0	16	23,5	Y306BB2D1160000T
2" RPA	0	16	M25x1,5	Y306BB2F1160000T
2" RPA	0	20	0	Y306BB201200000T
2" RPA	0	20	10	Y306BB2A1200000T
2" RPA	0	20	23,5	Y306BB2D1200000T
2" RPA	0	20	M25x1,5	Y306BB2F1200000T
2" RPA	16	16	0	Y306BB202160000T
2" RPA	16	16	10	Y306BB2A2160000T
2" RPA	16	16	23,5	Y306BB2D2160000T
2" RPA	16	16	M25x1,5	Y306BB2F2160000T
2" RPA	16	20	0	Y306BB202C00000T
2" RPA	16	20	10	Y306BB2A2C00000T
2" RPA	16	20	23,5	Y306BB2D2C00000T
2" RPA	16	20	M25x1,5	Y306BB2F2C00000T
2" RPA	20	20	0	Y306BB202200000T
2" RPA	20	20	10	Y306BB2A2200000T
2" RPA	20	20	23,5	Y306BB2D2200000T
2" RPA	20	20	M25x1,5	Y306BB2F2200000T